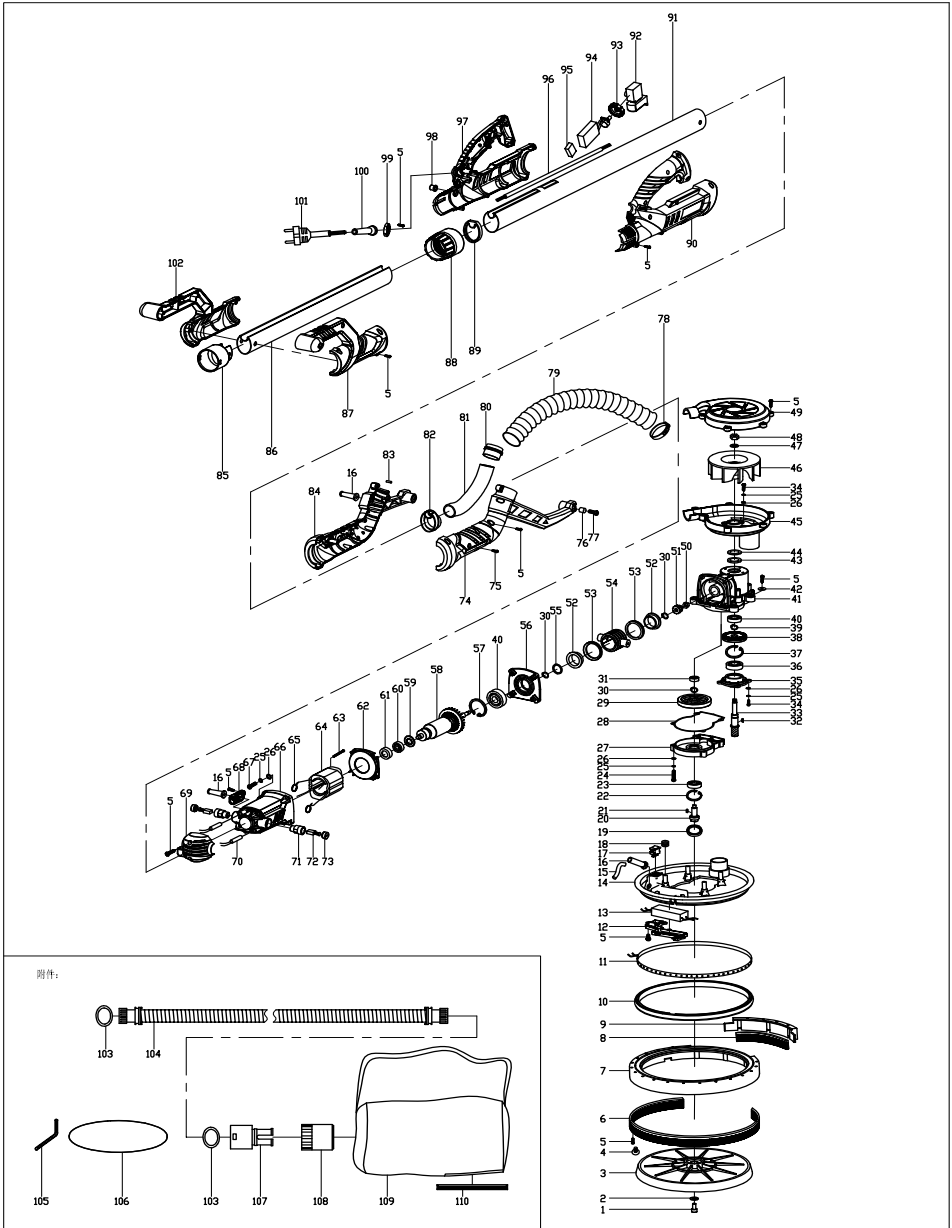


# EXPLODED VIEW



## SPARE PARTS LIST OF DRYWALL SANDER RD-DS06

---

1 Hex socket screws M6X16	37 Hole circlip 28	74 Right front handle
2 Washer 6	38 Big bevel gear	75 Tapping screw ST4X30
3 Polishing pad	39 Shaft circlip 12	76 Steel bushing $\Phi 6X\Phi 8X8$
4 Tapping screw ST4X12	40 Bearing 6000-2RS	77 Socket head cap screw M6X16
5 Slotted tapping screw	41 Gear box	78 Clamp 25-38
6 Brush	42 Washer $\Phi 4.2X\Phi 12X1$	79 Suction hose
7 Hood	43 Felt pad $\Phi 10X\Phi 23X3$	80 Hose connection
8 Brush segment	44 Washer $\Phi 10.2X\Phi 23X1$	81 Wired hose $\Phi 28$
9 Inner cover edge	45 Down fan blade room	82 Bushing block
10 LED cover	46 Fan blade	83 Cylindrical pin
11 LED light driver	47 Washer 8	84 Left front handle
12 light driver cover	48 Lock nut M8	85 Connector
13 LED light driver	49 Upper fan blade house	86 Extension alloy pipe
14 Sanding pad cover	50 Lock nut M6	87 Right rear handle
15 LED light cable	51 Small bevel gear	88 Tighten connector
16 Cable sleeve	52 Plastic sleeve	89 Seal ring
17 LED light switch	53 Damping ring	90 Right main handle
18 Spring	54 Pivot bush unit	91 Main alloy pipe
19 Skeleton seal	55 Felt pad	92 Switch
20 Output shaft	56 Middle cover	93 Speed button
21 Flat key 3X3X8	57 Hole circlip 26	94 Speed controller
22 Hole circlip 22	58 Rotor	95 Capacitor 2X0.33 $\mu$ F
23 Bearing 6900-2RS	59 Dust ring	96 Inner main cable
24 Cross recessed pan head screw M4X20	60 Bearing 607-2RS	97 Left main handle
25 Spring washer 4	61 Bearing sleeve	98 Limit button
26 Washer 4	62 Anti-wind ring	99 Cable pressing plate
27 Big front cover	63 Slotted tapping screw	100 Cable sleeve
28 Paper pad	64 Stator	101 Main cable
29 Gear	65 Sound tension spring	102 Left rear handle
30 Shaft circlip 10	66 Cover	103 Foam pad $\Phi 35X\Phi 45X2$
31 Bearing 606-2Z	67 Cross recessed pan head screw M4X25	104 Hose assemblies
32 Semicircular key 3X10	68 Plastic pressure block	105 Hex wrench
33 Gear shaft	69 Rear motor cover	106 Sanding paper
34 Cross recessed pan head screw M4X12	70 Inductor	107 Connector 2
35 Small front cover	71 Carbon brush holder	108 Connector 3
36 Bearing 6001-2RS	72 Carbon brush 6X9X12	109 Dust bag
	73 Brush holder cover	110 Pocket folder